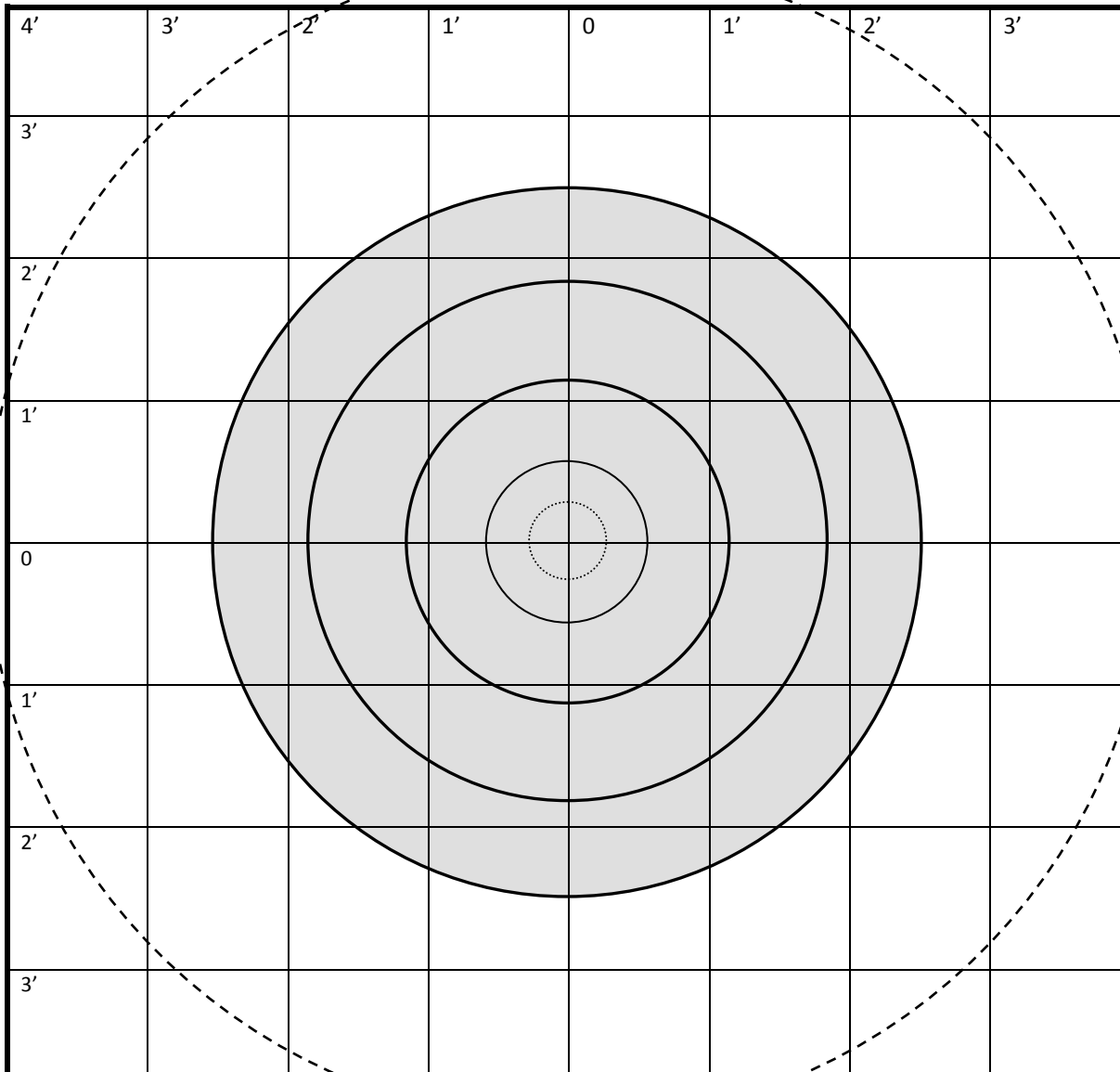


800m/900yd AUST ICFRA

Date: _____ Location: _____

Rifle: _____ Ammo: _____

Start Elev: _____ Foresight: _____



Direction Strength	12.30 ⊗	1.00 ⊗	1.30 ⊗	2.00 ⊗	3.00 ⊖
20	4 ¼	8 ¾	12 ½	15 ¼	17 ¼
16	3 ½	7	10	12	13 ¾
12	2 ½	5 ¼	7 ½	9	10 ½
8	1 ¾	3 ½	5	6	7
4	¾	1 ¾	2 ½	3	3 ½

Shot	Score	Wind	Elev
A			
B			
1			
2			
3			
4			
5			
6			
7			
8			
9			
10			
11			
12			
13			
14			
15			
TOTAL:		Final Elev:	

Approximate Elev Settings	
300yds	0
300m	½
400yds	3
400m	3 ½
500yds	7 ½
500m	8 ¼
600yds	11 ½
600m	12 ½
700yds	17
700m	18 ½
800yds	19
800m	26
900yds	28 ½
900m	38
1000yds	38

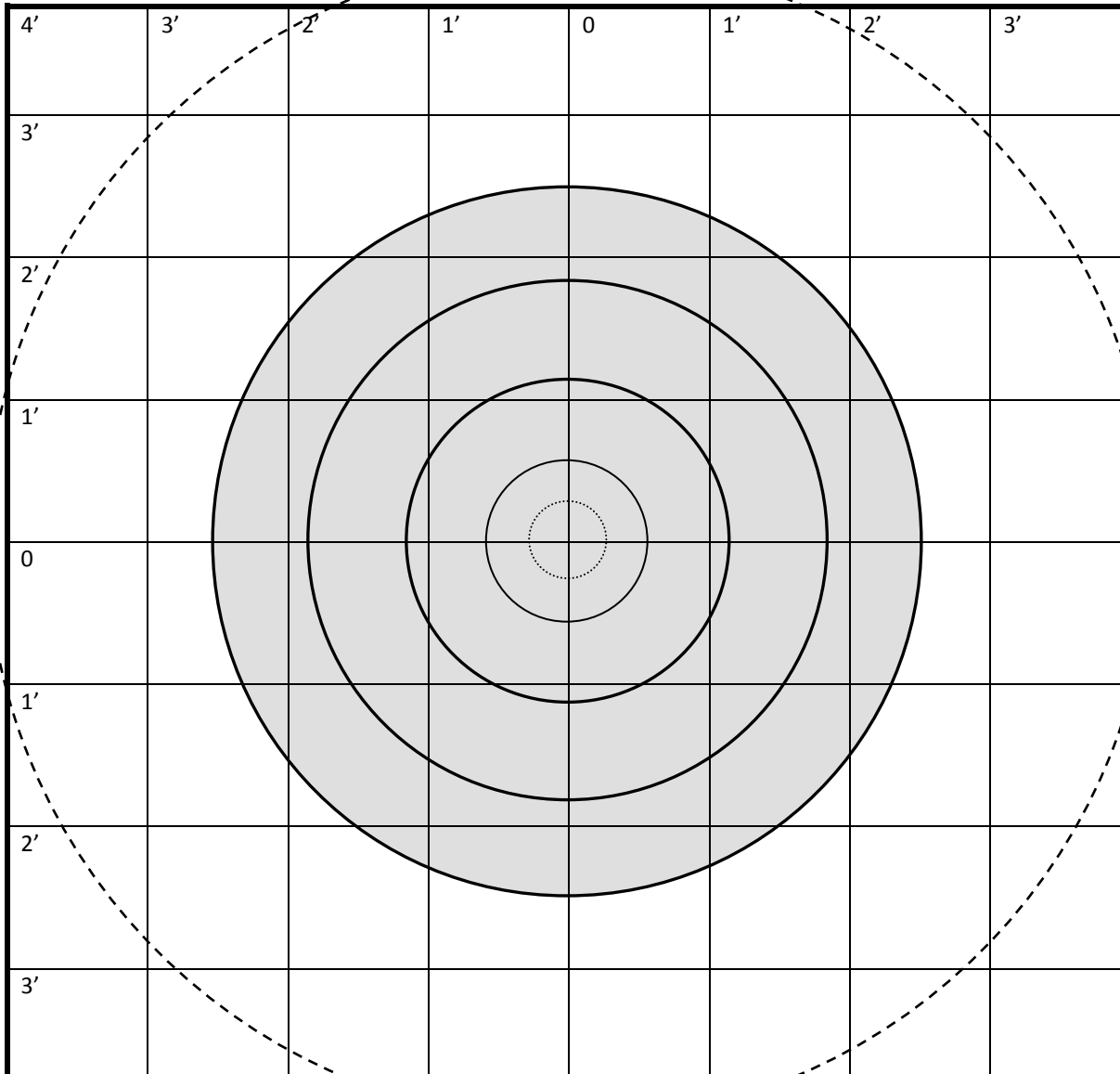
Approximate Tgt Dimensions (Inches)	
Aim	44
Super V	5
Central	10
Bull	20
Inner	32
Magpie	44
Outer	72

800m/900yd AUST ICFRA

Date: _____ Location: _____

Rifle: _____ Ammo: _____

Start Elev: _____ Foresight: _____



Direction Strength	12.30 ⊗	1.00 ⊗	1.30 ⊗	2.00 ⊗	3.00 ⊖
20	4 ¼	8 ¾	12 ½	15 ¼	17 ¼
16	3 ½	7	10	12	13 ¾
12	2 ½	5 ¼	7 ½	9	10 ½
8	1 ¾	3 ½	5	6	7
4	¾	1 ¾	2 ½	3	3 ½

Shot	Score	Wind	Elev
A			
B			
1			
2			
3			
4			
5			
6			
7			
8			
9			
10			
11			
12			
13			
14			
15			
TOTAL:		Final Elev:	

Approximate Elev Settings	
300yds	0
300m	½
400yds	3
400m	3 ½
500yds	7 ½
500m	8 ¼
600yds	11 ½
600m	12 ½
700yds	17
700m	18 ½
800yds	19
800m	26
900yds	28 ½
900m	38
1000yds	38

Approximate Tgt Dimensions (Inches)	
Aim	44
Super V	5
Central	10
Bull	20
Inner	32
Magpie	44
Outer	72

